



# ping200S

**uAvionix Ping200S Transponder**

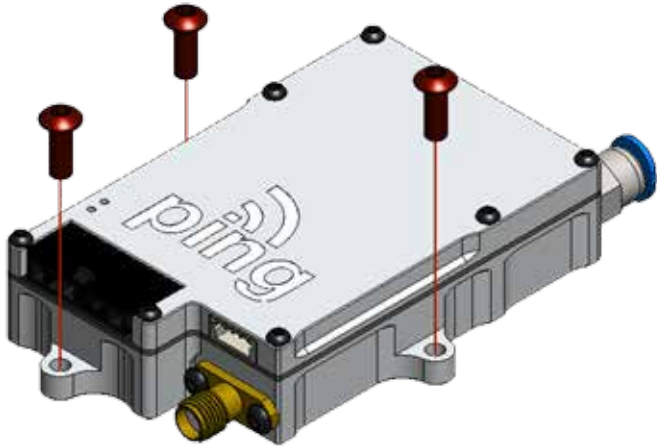
**QUICK START GUIDE**



# Mount

# 1

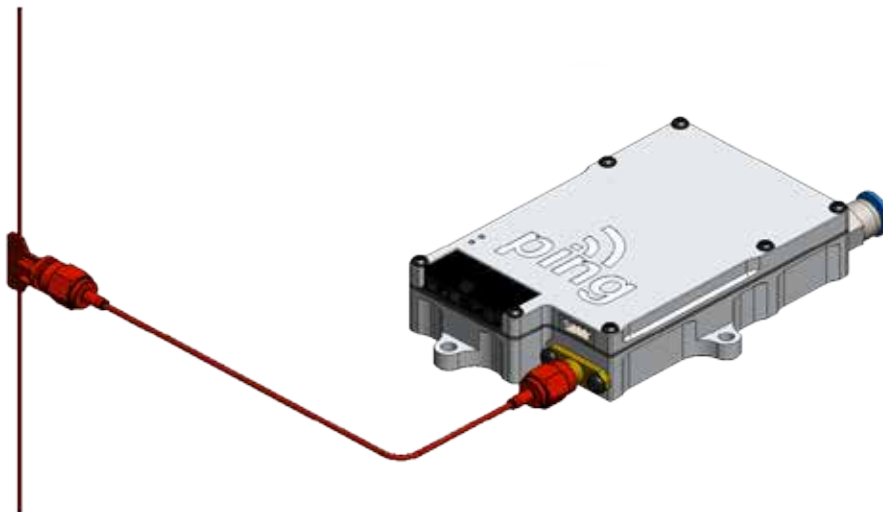
For complete installation instructions refer to the ping200S series user manual.



**Mount ping200s** using the **three mounting holes** and appropriate fasteners.

ping200Si should be installed so the integrated GPS antenna has a clear view of the sky.

**Mount and connect** the transponder **antenna** to **ping200s** using supplied **SMA cable**. The antenna should be mounted vertically as shown.



**!** Whenever power is supplied to the transponder, a 50ohm load must be provided to the SMA connection. You can use the supplied antenna or a commercially available 50ohm load.

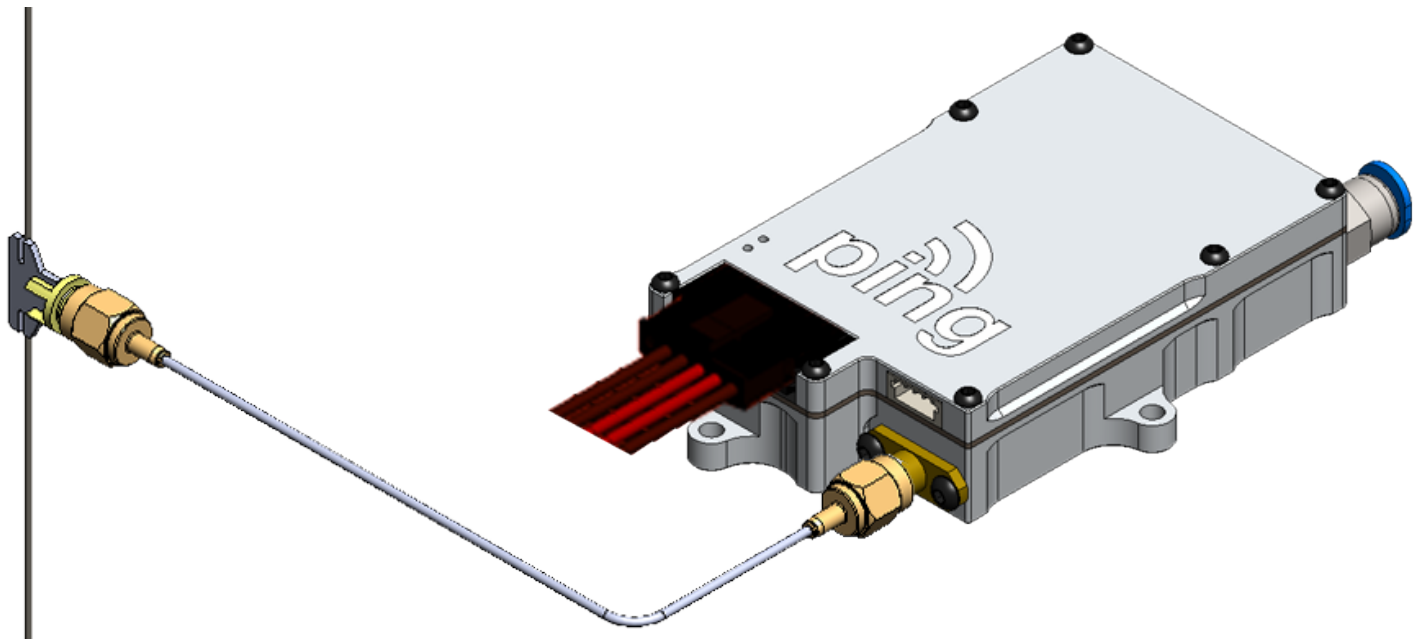


## Connect accessories

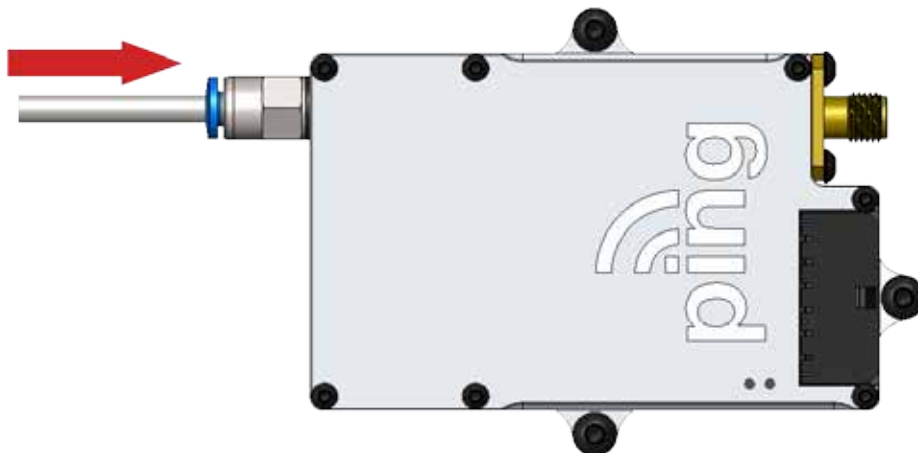
# 2

**Connect power adapter** and communication **harness**.

Terminate the power and ground as appropriate for your installation. Ping200S accepts 11-33V.



If the aircraft has a static system connect the barometer to the static system using 3mm tubing. The tubing should be inserted into the festo connector. To release the tubing press the blue portion of the connector toward the transponder.

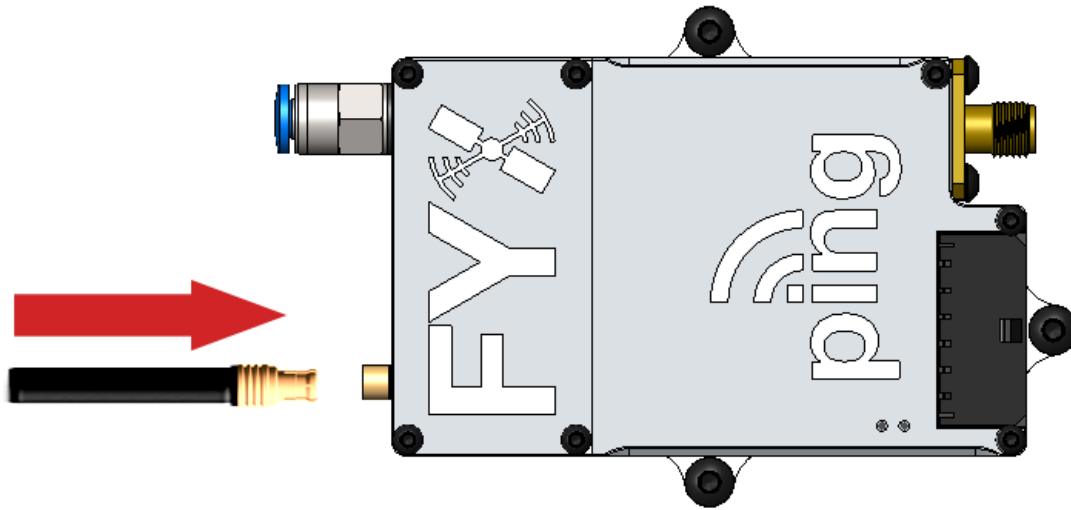




## Connect accessories

# 3

**Connect** the remote mount GPS antenna (ping200Sr only). Insert the antenna cable into the MCX connector on the ping200Sr. The remote antenna should be placed in a location so the GPS has a clear view of the sky.





# Install

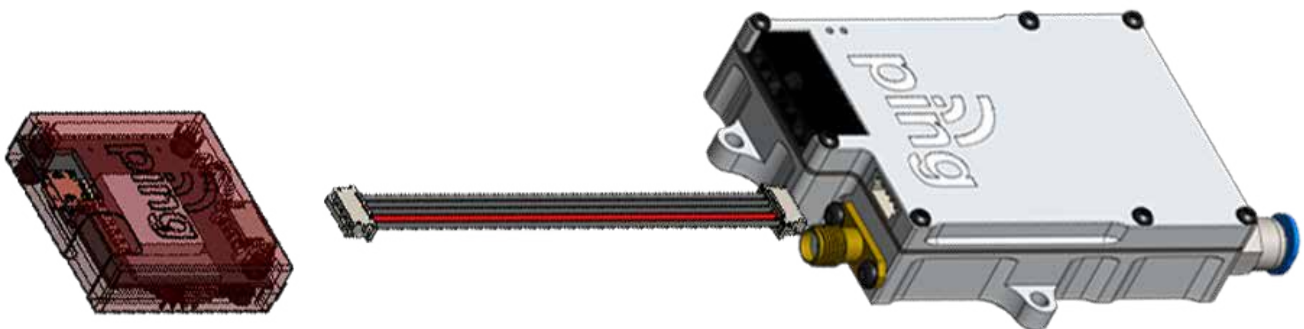
# 4

Install the uAvionix Ping App from the Apple App Store or Google Play. Search for **uAvionix Ping Installer** or use the QR codes below.



Connect the **ping programmer** to **4 pin program port** using the provided **5 pin to 4 pin cable**.

Connect **ping programmer** to a power source using a **Micro-USB cable**.





# Join

# 5

Join your mobile device to the wireless network named **Ping-XXXX** using the procedure for your device. The WPA passphrase is **uavionix**. The process for iOS is shown below.

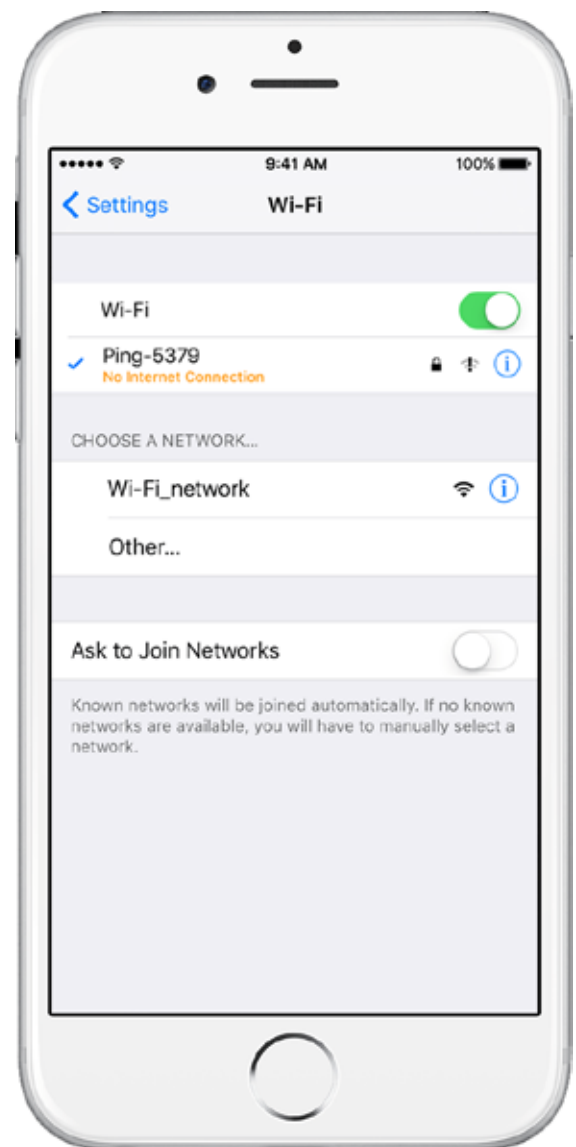
Go to **Settings > Wi-Fi**, and verify Wi-Fi is turned on.

Tap the SSID **Ping-XXXX**, where XXXX is a random string i.e. Ping-5379.

Enter **uavionix** as the WPA password for the secure Wi-Fi network, then tap **Join**

Note: *No Internet Connection* message is normal.

After device is connected proceed to step 3.





# Configure

# 6

Launch the **uAvionix Ping** application and tap **Configuration**. Complete all fields as appropriate for your aircraft and ping200S model.

**Selected Device Type:** Choose **ping200s**.

**Control:** Select transmit a transmit type.

**Standby:** Transponder will not respond to interrogation.

**Mode A:** Replies to interrogation with 4 digit squawk code.

**Mode C:** Replies to interrogation with altitude information.

**Mode S:** Provides multiple information formats to a selective interrogation.

**1090ES:** ADS-B transmit enabled.

Combinations of the reply types are also available. i.e Mode A/C/S+1090ES

**ICAO:** Enter your ICAO Number in Hexadecimal format. If your identifier is in octal (eight digits) format you must convert it prior to entry.

**Call Sign:** Enter the tail number of the aircraft. (A-Z 0-9)

**Emitter:** This should be set to your aircraft type. UAV is the selection for unmanned vehicles.

**VFR Code:** Enter the default VFR code for your country. The United States VFR code is 1200.

**Maximum aircraft speed:** Select your aircraft maximum speed.

**ADS-B In Capability:** Select aircraft ADS-B receive capability.

**Aircraft Length:** Select the length value in meters that matches your aircraft.

The screenshot displays the configuration interface for the uAvionix Ping application. At the top, the 'ping' logo is shown with a red signal icon. Below it, a green bar indicates 'CONNECTED TO DEVICE'. Two tabs are visible: 'Configuration' (active) and 'Monitor'. The configuration fields are as follows:

- Selected Device Type:** ping200S
- Control:** Mode C/S + 1090ES
- ICAO Number (hex):** A00000
- Call Sign:** AV1001
- Emitter Category:** UAV
- VFR Code:** 1200
- Maximum aircraft speed (TCAS):** S ≤ 75 knots
- ADS-B In Capability:** None
- Aircraft Length (meters):** L ≤ 15

An 'Update' button is located at the bottom of the screen.



# Update

# 7

After completing all data fields tap the **Update** button.

You should receive the **Device Configured** message, tap **OK**.

Tap **Monitor**.

**Verify** all fields are correct for your aircraft.

The monitor fields will only completely populate when a GPS position is provided.

**Disconnect ping programmer.**

